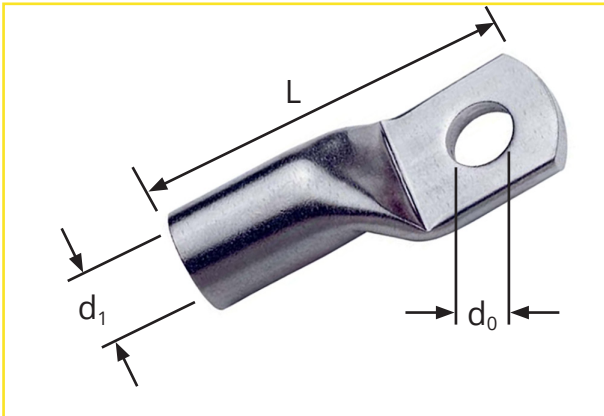


Grounding accessories



- for connection to stainless steel earthing tape EEB
 - corrosion-resistant stainless steel component
 - for stranded and fine-stranded round conductors, e.g. according to DIN EN 60228 Kl. 2 and 5
 - for round-pressed stranded sector conductors
 - ideal for aggressive environmental conditions, acid and rust resistant
 - The tubular cable lug RKS is a small component made of stainless steel for connection on the stainless steel earthing strap EEB. Both components are made of stainless steel and thus prevent galvanic corrosion.
 - **IMPORTANT!**
The necessary installation must be carried out by a qualified electrician. A residual current circuit breaker (FI or RCD ≤ 30 mA) must be present in the circuit. Your electrician will install this standard device for you if it is not available.
- All electrical work (work on electrical equipment and installations) must be carried out and inspected by a qualified electrician or under their direction and supervision!

You can also find more information on this at:
www.funktionspotentialausgleich.de

Order-No.: 710826
Short-Desc.: RKS 16

Grounding accessories

Tube cable lug - RKS

Technical data

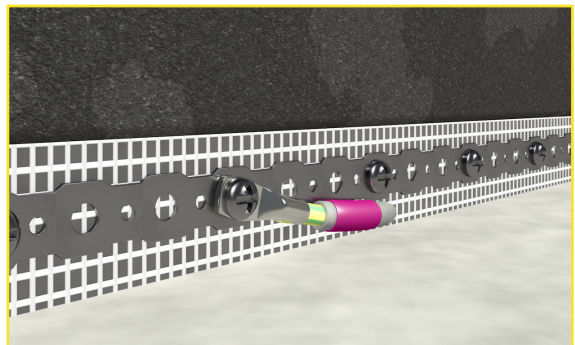
RKS 2,5	L: 22 mm
	d ₀ : M5
	d ₁ : 3 mm (1,5 - 2,5 mm ²)
RKS 6:	L: 27 mm
	d ₀ : M6
	d ₁ : 4 mm (4 - 6 mm ²)
RKS 16:	L: 38 mm
	d ₀ : M8
	d ₁ : 6 mm (16 mm ²)
colour:	silver
material:	V2A (X5CrNi18-10)

Scope of application

accessory part for stainless steel earthing tape EEB

Scope of delivery

tube cable lug - RKS



Order-No.: 710991
Short-Desc.: RKS 2,5

Order-No.: 710911
Short-Desc.: RKS 6